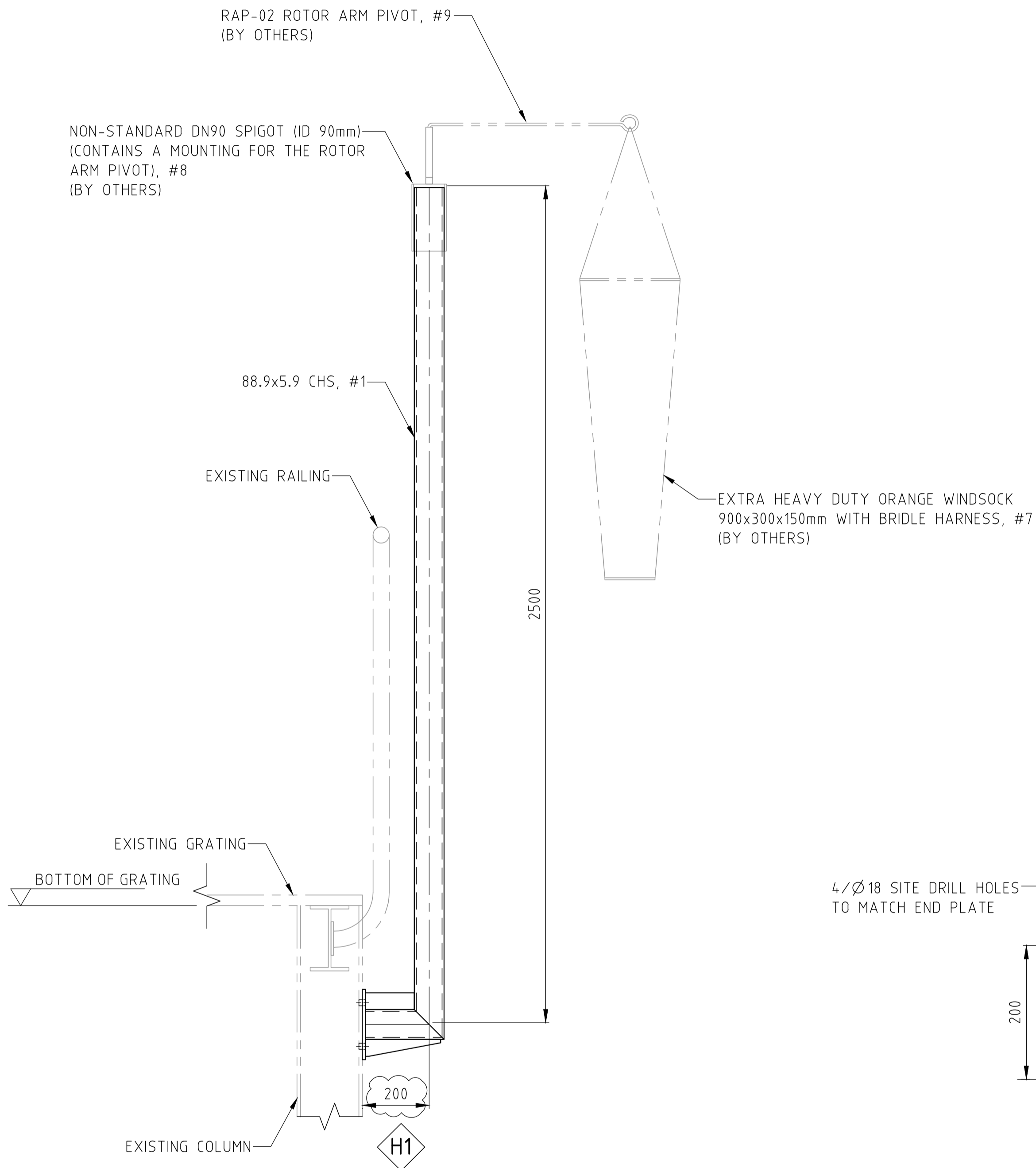


NOTES:

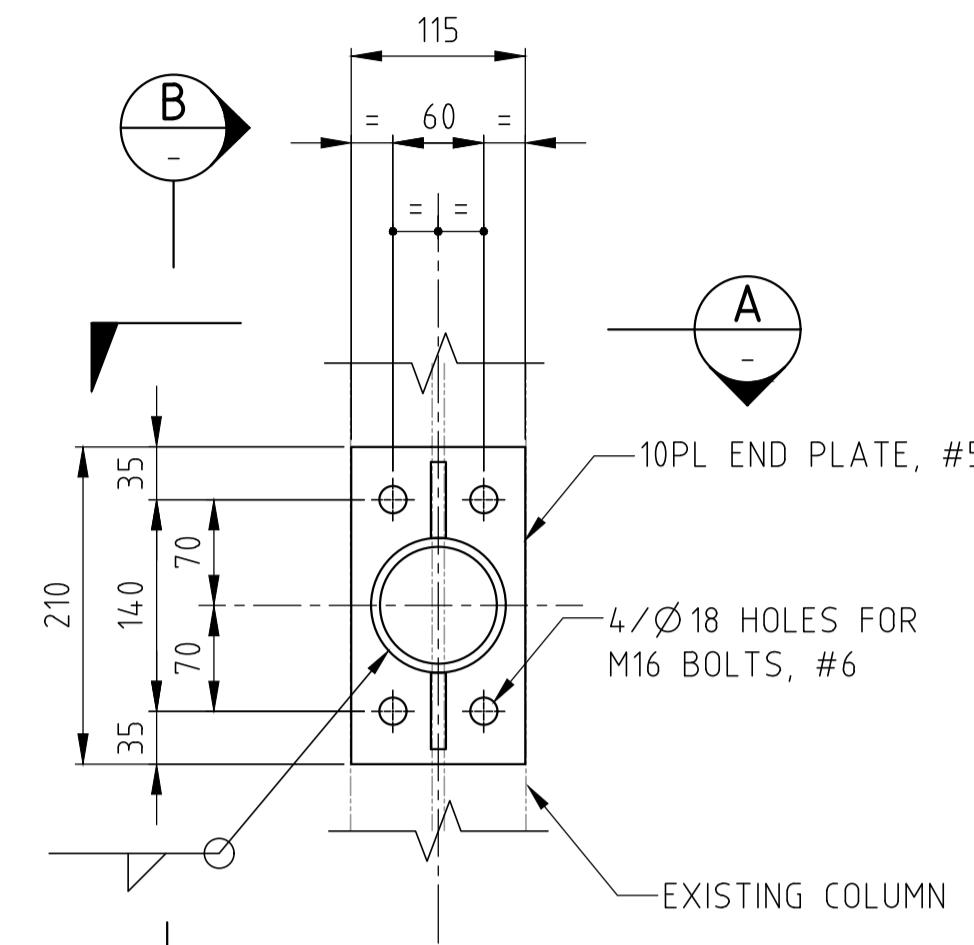
1. **GENERAL**
 - 1.1 ALL DIMENSIONS ARE IN MM.
 - 1.2 DO NOT SCALE DRAWINGS.
2. **MATERIALS, FABRICATION AND ERECTION**
 - 2.1 ALL STEEL WORK SHALL COMPLY WITH AS 4100, SANTOS ENGINEERING STANDARD 1540-120-SPC-0004.
 - 2.2 STEEL GRADE SHALL BE:
 - GRADE 250 FOR HOT ROLLED PLATES COMPLYING WITH AS 3678 UNO.
 - GRADE 300 FOR ALL HOT ROLLED SECTIONS COMPLYING WITH AS 3679.
 - 2.3 ALL BOLTS TO BE GRADE 8.8/TB SET SCREW C/W NUT AND WASHER IN ACCORDANCE WITH AS 1252 UNO.
 - 2.4 PLATES, GUSSETS, STIFFENERS AND CLEATS SHALL BE MINIMUM 10MM PLATE UNO.
 - 2.5 ALL WELDS TO BE CATEGORY SP AND ELECTRODES SHALL HAVE A NOMINAL TENSILE STRENGTH OF 490MPA CARRIED OUT IN ACCORDANCE WITH AS 1554.1.
 - 2.6 ALL WELDS TO BE 6MM CONTINUOUS FILLET WELD UNO.
 - 2.7 BOLT HOLES ON THE EXISTING STEEL SHALL BE SITE DRILL TO MATCH END PLATE HOLES.
3. **CORROSION PROTECTION**
 - 3.1 ALL FASTENERS SHALL BE HOT DIP GALVANISED TO AS 4680.
 - 3.2 ALL STEELWORK SHALL BE PAINTED. PAINTING AND COATING MATERIALS, COLOUR-CODING, SURFACE PREPARATION, APPLICATION, INSPECTION REQUIREMENTS AND REPAIR OF ALL PAINTING SHALL BE CARRIED OUT IN ACCORDANCE WITH 1540-120-SPC-012.0 CATEGORY CSM IN LINE WITH AS 2312.

BILL OF MATERIALS		
ITEM NO.	DESCRIPTION	QTY
#1	88.9x5.9 CHS 2544 LG	1
#2	88.9x5.9 CHS 234 LG	1
#3	STIFFENER PLATE 146x50 (10THK)	1
#4	STIFFENER PLATE 225x50 (10THK)	1
#5	END PLATE 210x115 (10THK)	1
#6	M16 BOLT	4
#7	EXTRA HEAVY DUTY ORANGE WINDSOCK 900x300x150mm WITH BRIDLE HARNESS (BY OTHERS)	1
#8	NON-STANDARD DN90 SPIGOT (ID 90mm) (CONTAINS A MOUNTING FOR THE ROTOR ARM PIVOT) (BY OTHERS)	1
#9	RAP-02 ROTOR ARM PIVOT (BY OTHERS)	1

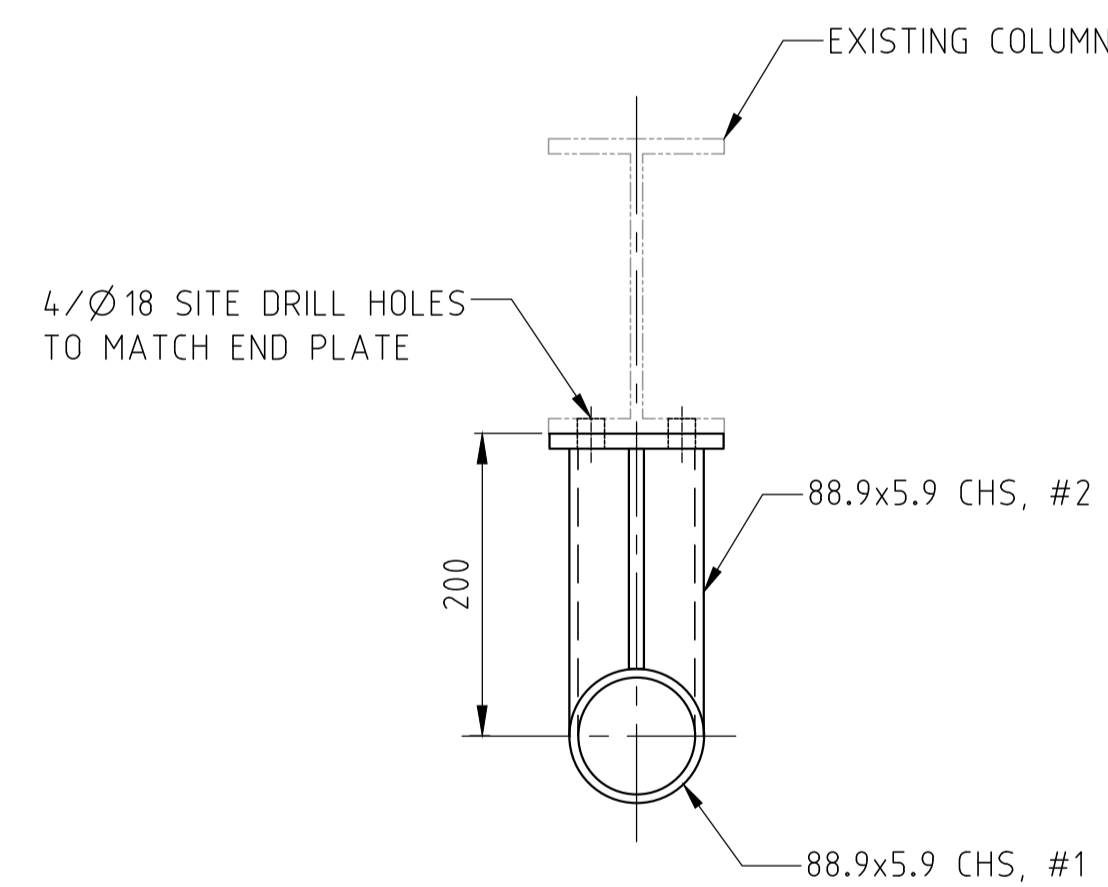
HOLD:
H1 - TO BE CONFIRMED ON SITE



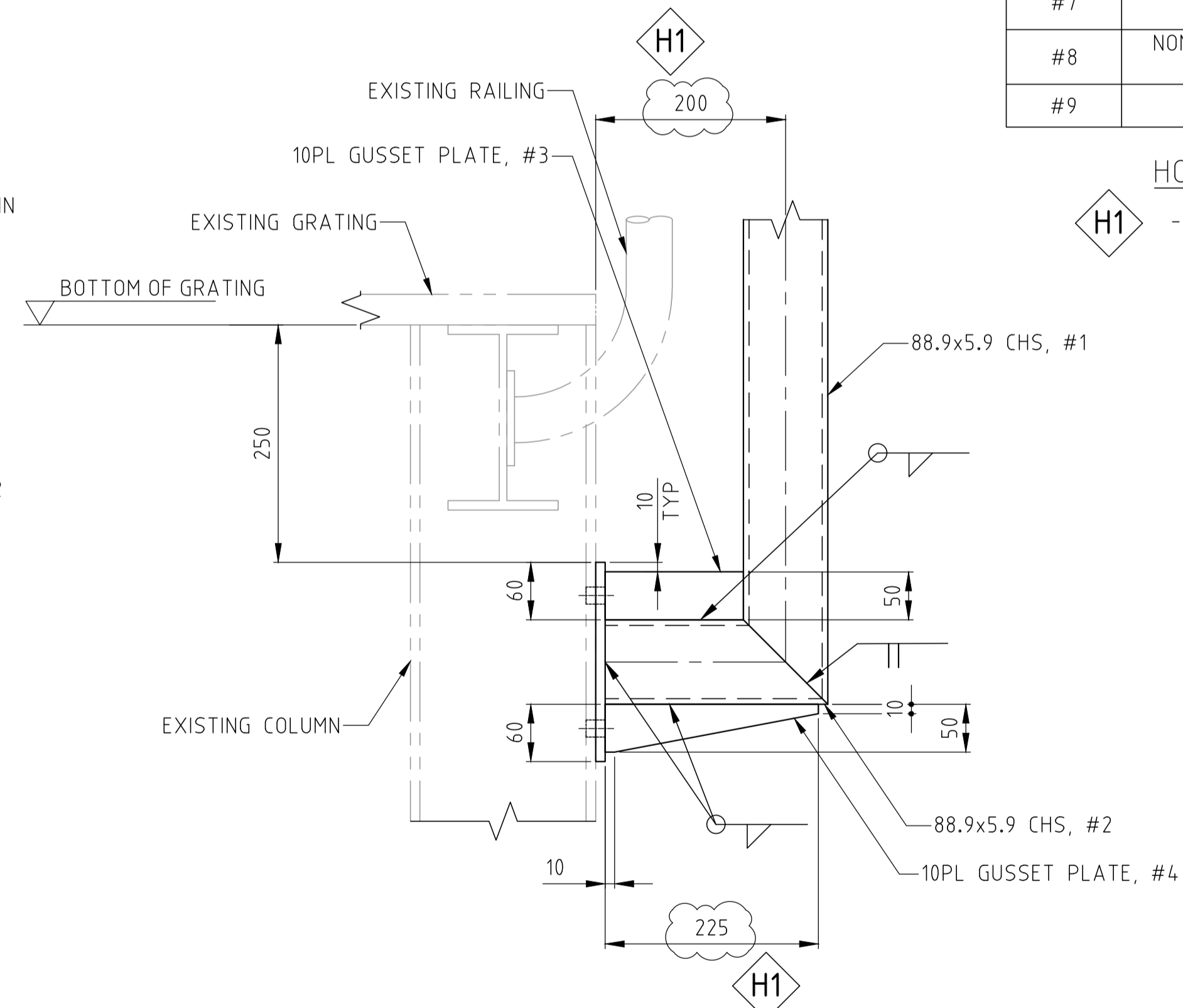
WINDSOCK SUPPORT ELEVATION VIEW
SCALE 1:10



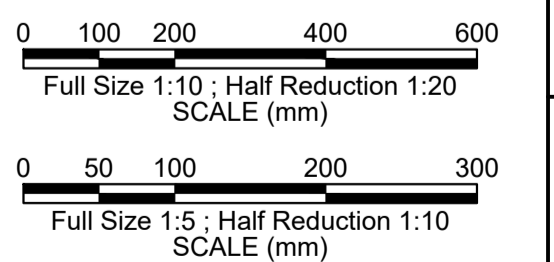
END PLATE DETAIL
SCALE 1:5



SECTION A-A
SCALE 1:5



SECTION B-B
SCALE 1:5



DRAWING No	REFERENCE DRAWINGS	REV No	DATE	REVISION DESCRIPTION	DRAWN	CHECKED	DESIGNED	APPROVED	CLIENT
		A	12.03.25	ISSUED FOR REVIEW	RVM	RM	YY	ES	

DRAWN: RVM	DATE: 12.03.25
CHECKED: RM	DATE: 12.03.25
DESIGNED: YY	DATE: 12.03.25
APPROVED: ES	DATE: 12.03.25
CLIENT:	DATE: