

4

3

2

1

F

F

E

E

D

D

C

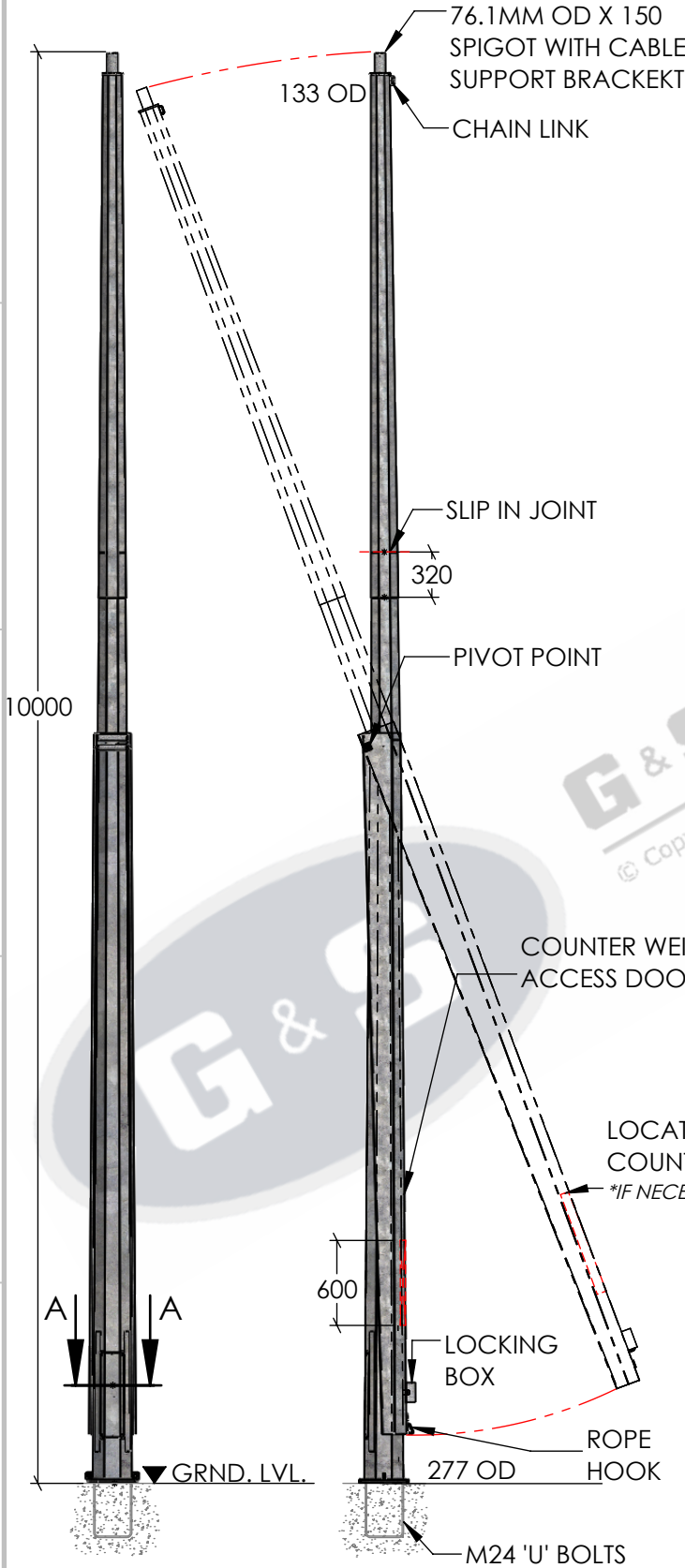
C

B

B

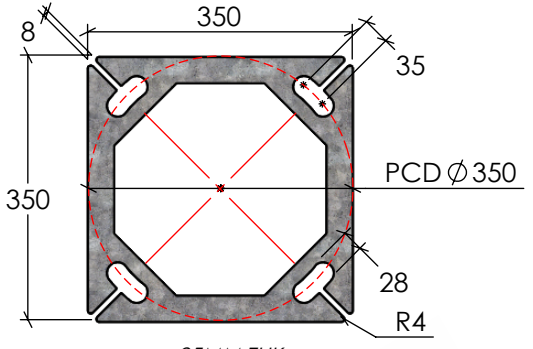
A

A



**FRONT & SIDE ELEVATION**

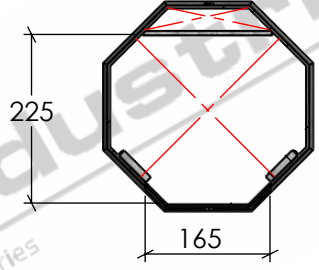
SCALE 1:50



**BASEPLATE DETAILS**

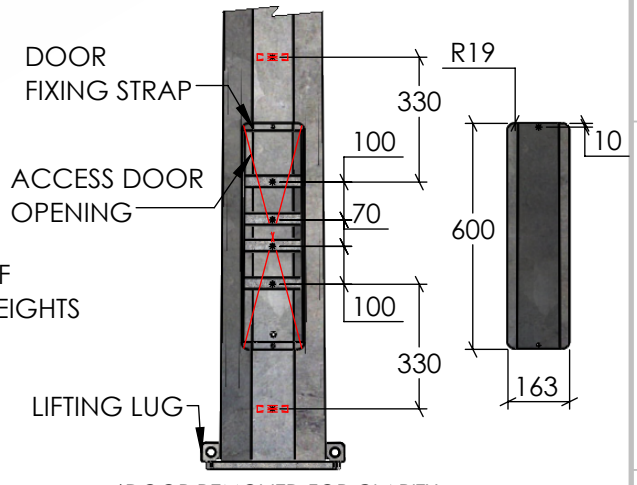
SCALE 1:10

**SECTION A-A**



**CONTROL GEAR CLEARANCE DETAIL**

SCALE 1:10



**ELEVATION ON DOOR**

SCALE 1:20

**STANDARDS**

- ALL PRODUCTS TO CONFORM TO THE FOLLOWING AUSTRALIAN STANDARDS.
- \* AS 1170.2 Structural design actions - Wind actions.
  - \* AS 1554(set) Structural steel welding set.
  - \* AS 2159: Piling - Design & Installation.
  - \* AS 2870: Residential slab footings - Construction.
  - \* AS 3600: Concrete structures.
  - \* AS 3678: Structural steel - Hot rolled plates, floorplates and slabs.
  - \* AS 4680: Hot dip galvanized (Zinc) Coatings on fabricated ferrous articles.
  - \* AS/NZS 4671: Steel reinforcing materials.
  - \* AS/NZS 4600: Cold formed steel structures.



**G & S Industries**  
 97 GUTHRIE STREET,  
 OSBORNE PARK W.A. 6017  
 PH : +6108 9446 8044  
 EMAIL: sales@gsindustries.com.au  
 WEB: www.gsindustries.com.au

|  |                          |
|--|--------------------------|
| <b>PROPRIETARY AND CONFIDENTIAL</b>  |                          |
| THE INFORMATION CONTAINED IN THIS DRAWING IS THE SOLE PROPERTY OF G&S INDUSTRIES. ANY REPRODUCTION IN PART OR AS A WHOLE WITHOUT THE WRITTEN PERMISSION OF G&S INDUSTRIES IS PROHIBITED. |                          |
| SCALE: AS SHOWN  | PRODUCT WEIGHT: 304.1kg. |
| PRODUCT FINISH: HOT DIPPED GALVANIZED  |                          |
| CUSTOMER APPROVAL:   |                          |
| CUSTOMER NAME / PROJECT:   |                          |

|  |            |
|--|------------|
| NAME   | DATE       |
| DRAWN N. A.  | 14.10.2022 |
| CHECKED S. G.  | 14.10.2022 |
| APPROVED R. G.   | 14.10.2022 |
| <b>COPYRIGHT</b>   |            |
| THIS DOCUMENT IS PRODUCED BY G&S INDUSTRIES. MUST NOT BE COPIED, TRACED, REPRODUCED, OR LENT WITHOUT WRITTEN CONSENT |            |

|              |   |
|--------------|---|
| PART NUMBER: | <b>MH10BH</b>   |
| TITLE:       | <b>10M HEAVY DUTY MID-HINGED TAPERED OCTAGONAL POLE</b> |
| SIZE         | <b>A4</b>   |
| DWG. NO.     | <b>ZLRG2351A</b>  |
| REV.         | <b>0</b>  |
| SHEET 1 OF 1 |   |

4

3

2

1