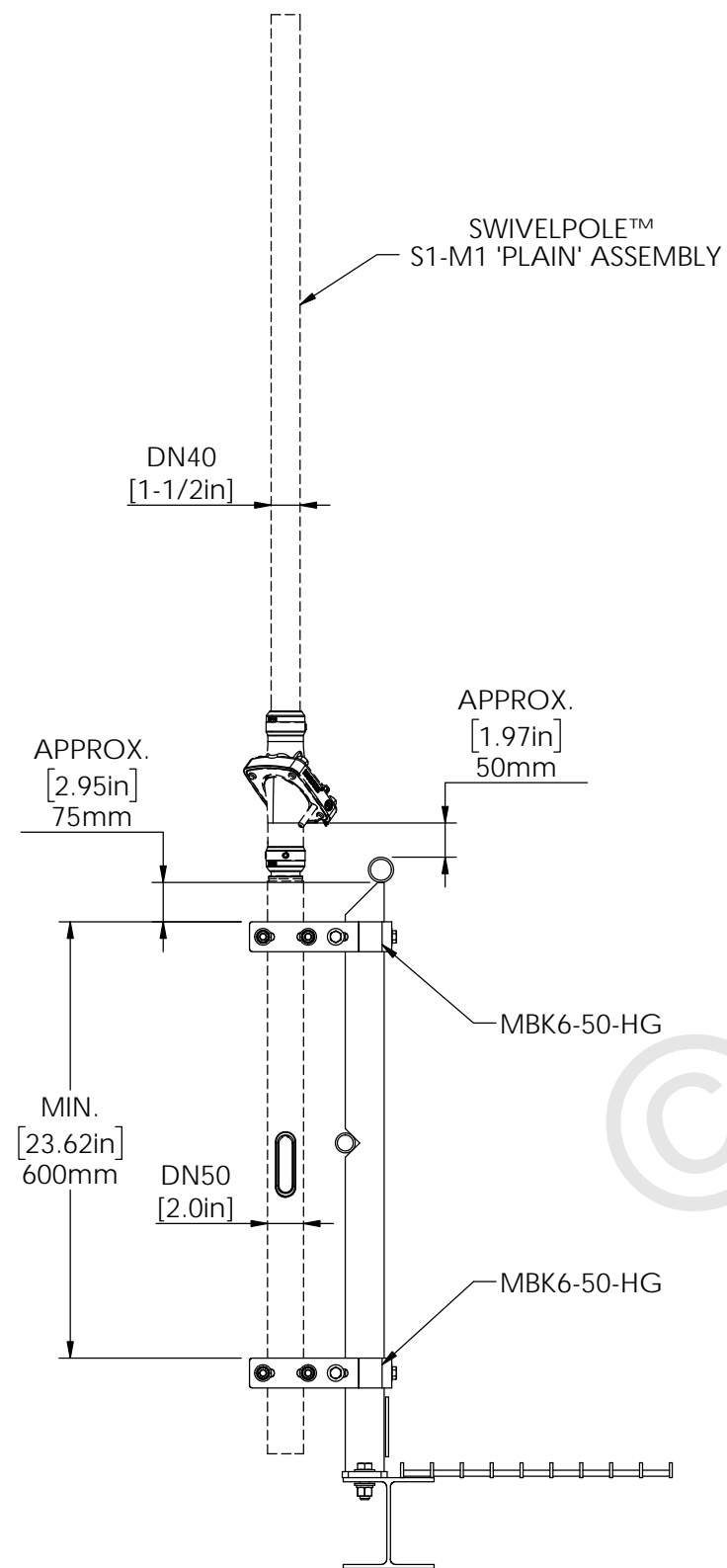


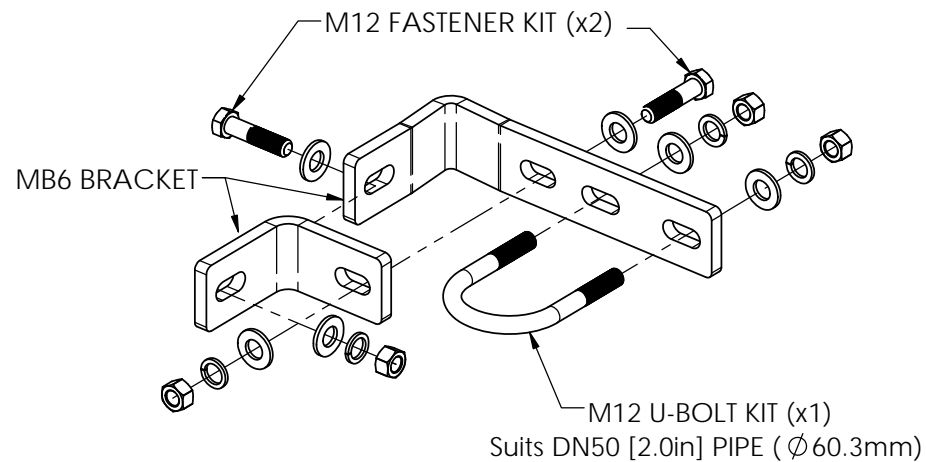
STRUCTURALLY CERTIFIED



MBK6-6-50-HG
TYPICAL ASSEMBLY

MBK6-50-HG BRACKET

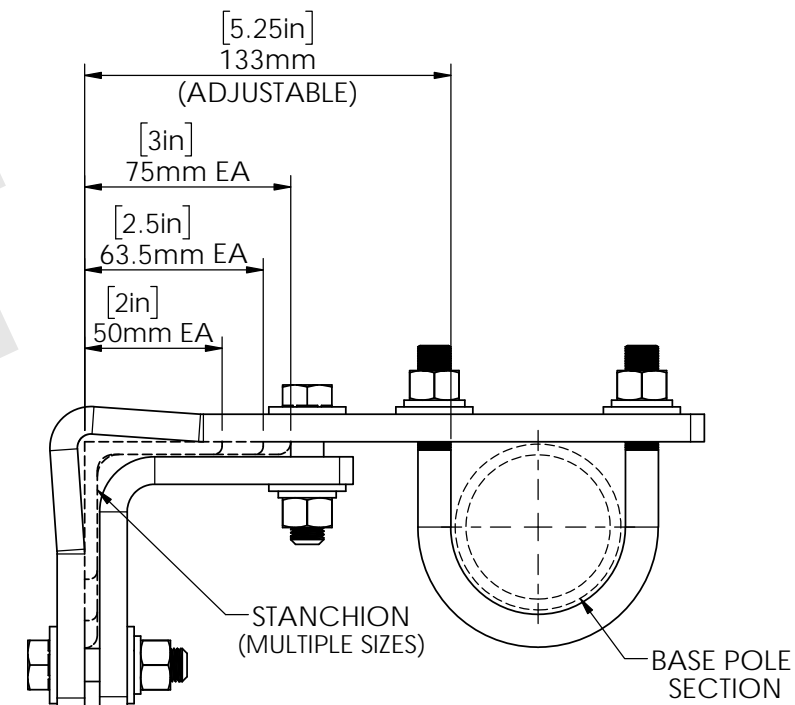
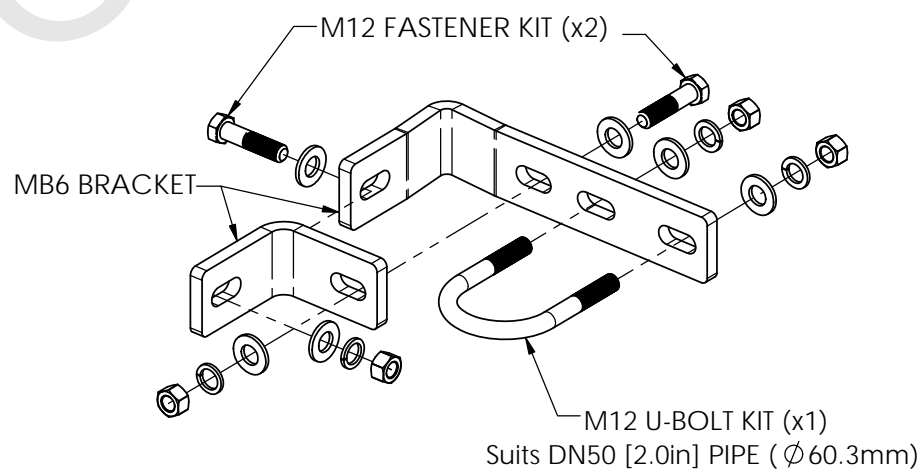
WEIGHT (INCLUDES BRACKET AND FASTENERS) = 2.3 kg [5.1 lb]



***NOTE:**
HOT-DIP GALVANISED FINISH
IS SUITABLE FOR USE WITH ALUMINIUM
AND HOT-DIP GALVANISED PIPE

MBK6-50-HG BRACKET

WEIGHT (INCLUDES BRACKET AND FASTENERS) = 2.3 kg [5.1 lb]



MBK6 DIMENSIONS

TO SUIT 50mm [2in], 65mm [2-1/2in] AND 75mm [3in] EQUAL ANGLE STANCHION WITH FLANGE THICKNESS FROM 5mm [3/16in] TO 10mm [3/8in]

IEC



Scan Code with
QR Reader app for more
Swivelpole™ Solutions

maxis
PATENTED
PRODUCTS

www.maxisjoint.com

PATENTED
PRODUCTS

www.swivelpole.com

Swivelpole™

This document is the property of and protected by copyright owned by Swivelpole Group Pty Ltd and or Exemplar Products Pty Ltd. The designs and other information embodied in this document comprise confidential information of Swivelpole Group Pty Ltd and or Exemplar Products Pty Ltd and form part of products covered by international patents and registered designs including US patent No 6957832 and US patent No 9945143. Unauthorised use, reproduction and disclosure are strictly prohibited. This document must not be removed from the premises of the licensed user of this document without Swivelpole Group Pty Ltd's and or Exemplar Products Pty Ltd's prior approval.

ALL DIMENSIONS ARE IN MILLIMETERS / INCHES	SERIES / CODE MBK	PART NUMBER MBK6-6-50-HG (RQ1993 - 19/04/24)
DRAWN BY BP	DATE 02/03/21	TITLE Swivelpole™ Mounting Bracket Kit Typical Installation with Swivelpole™ S1-M1 Client - Bracket Detail
CHECKED BY KM	DATE 03/03/21	
APPROVED BY AI	DATE 04/03/21	
THIRD ANGLE PROJECTION	SCALE N.T.S.	DRG No C-IEC-MBK6-6-50-HG
		REV 1 A3