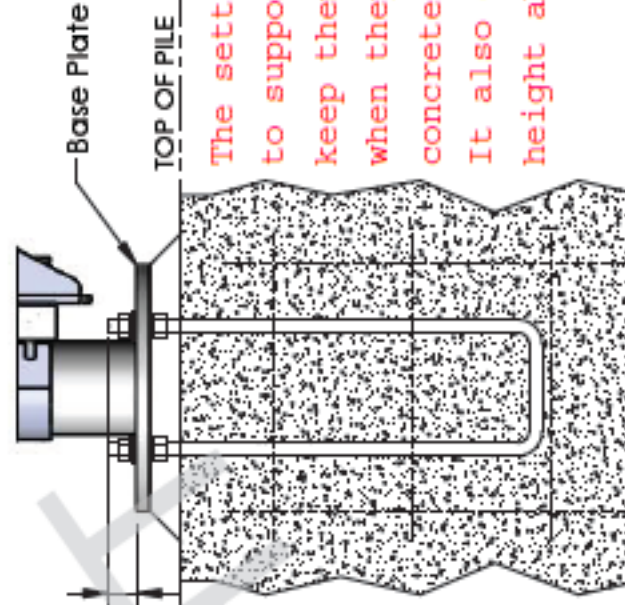


*** Important Note:**

Ensure bolt projection above the pile suits the maximum required bolt projection above the Base Plate

△ 35mm Min.
50mm Max.



The setting template is used to support the anchor bolts and keep them at the correct P.C.D when they are surrounded by concrete.

It also can be used to set the height above the 'top of pile'.