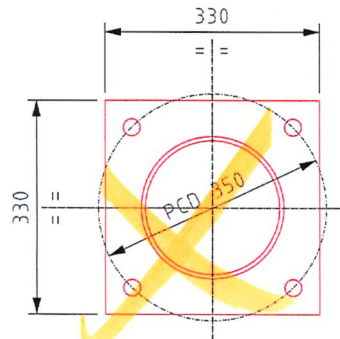
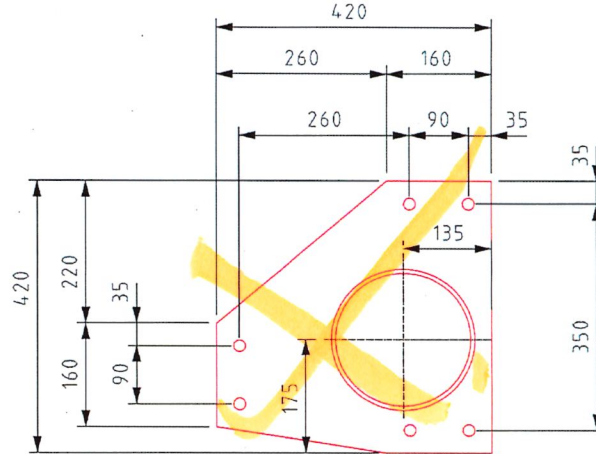


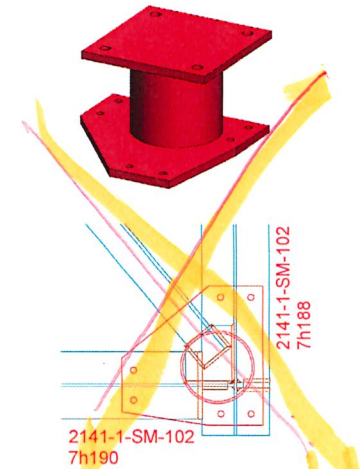
2141-WSS-0001
FULLY WELDED SUPPORT
1 OFF



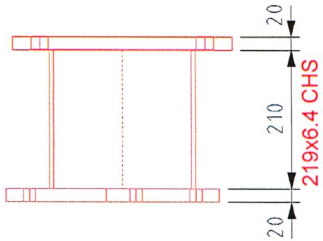
CAP PLATE DETAIL
20PL WITH 4-DIA26
HOLES FOR M24 BOLTS



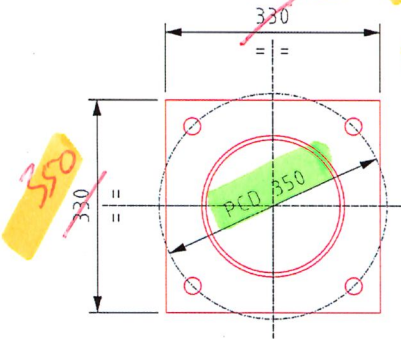
BASE PLATE DETAIL
20PL WITH 6-DIA22
HOLES FOR M20 BOLTS



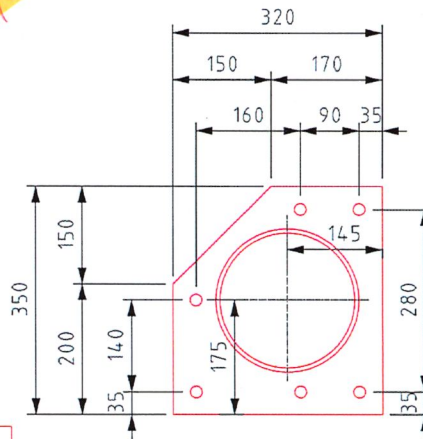
PLAN AT RL 45.180 TOS
2141 ACID MIXING TOWER



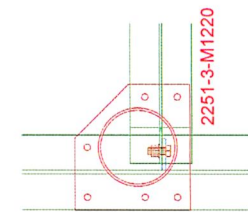
2251-WSS-0001
FULLY WELDED SUPPORT
1 OFF
2261-WSS-0001
FULLY WELDED SUPPORT
1 OFF



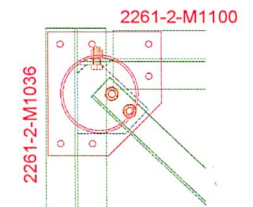
CAP PLATE DETAIL
20PL WITH 4-DIA26
HOLES FOR M24 BOLTS



BASE PLATE DETAIL
20PL WITH 6-DIA22
HOLES FOR M20 BOLTS



2251-3-M1384
PLAN AT RL 47.000 TOS
2251 MVR BUILDING



2261-2-M1036
PLAN AT RL 44.580 TOS
2261 MVR BUILDING

wood.
Site Engineering Approval

	Sign	Date
Originator	yu.zhang	Digitally signed by yu.zhang Date: 2021.08.20 14:22:27 +0800
Engineer Approved	stephen.skinner	Digitally signed by stephen.skinner Date: 2021.08.20 14:22:27 +0800

ISSUED FOR CONSTRUCTION

NOTE:
1. SURFACE TREATMENT PC-6 HOT DIP GALVANISED.
2. WIND SOCK SUPPORTS FOR TRAIN 1 ONLY, TRAIN 2 NOT REQUIRED.

wood.			CLIENT: ALBEMARLE			PROJECT APPR.			BY			DATE			SCALE			CLIENT ALBEMARLE																							
wood.			ALBEMARLE			DESIGN APPR.												TITLE ALBEMARLE KEMERTON PLANT GENERAL 2141 2251 2261 AREAS WIND SOCK SUPPORT DETAILS																							
DRAWING No.			REFERENCE DRAWINGS			CLIENT PROJECT No. 7421			No.			BY			DATE			REVISION			CHECKED			APPROV.			DRAWN			PROJECT No.			DRG SIZE A1			DRAWING No. 606541-0000-DD20-SKT-5149			REV No. A		