
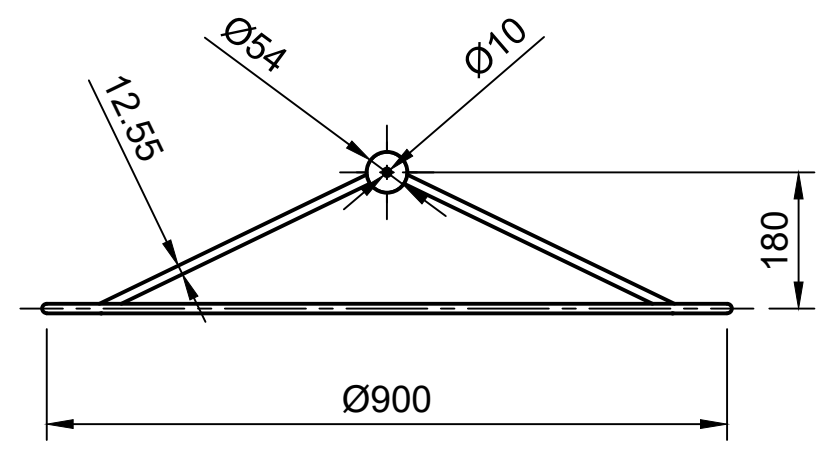
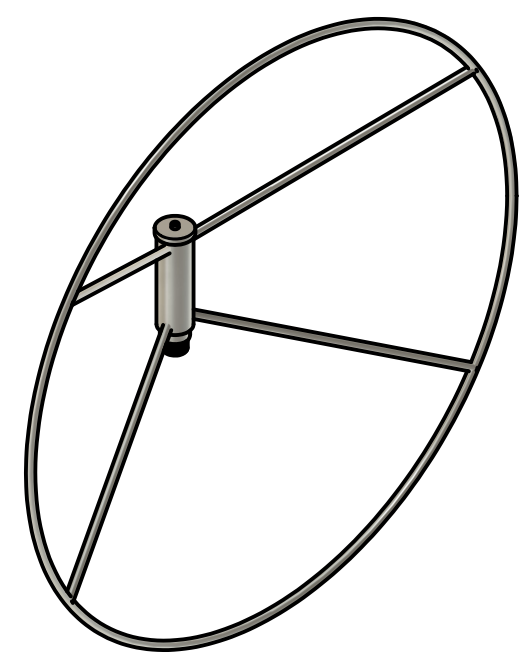
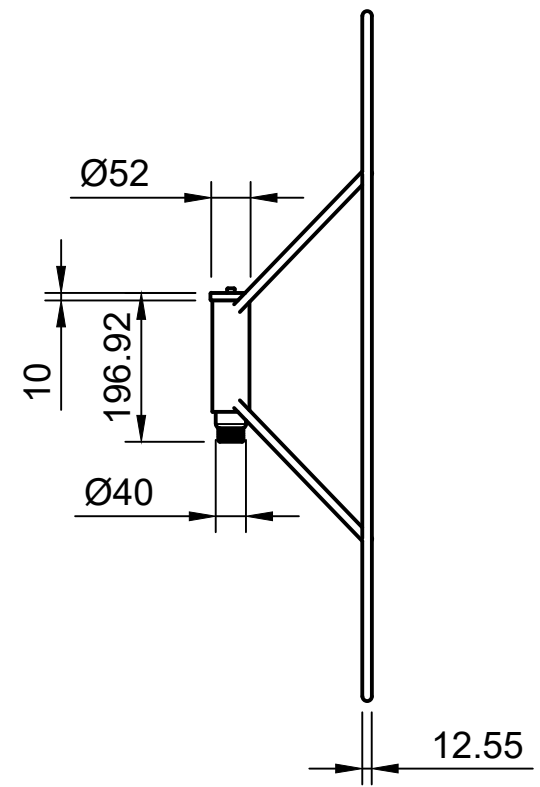
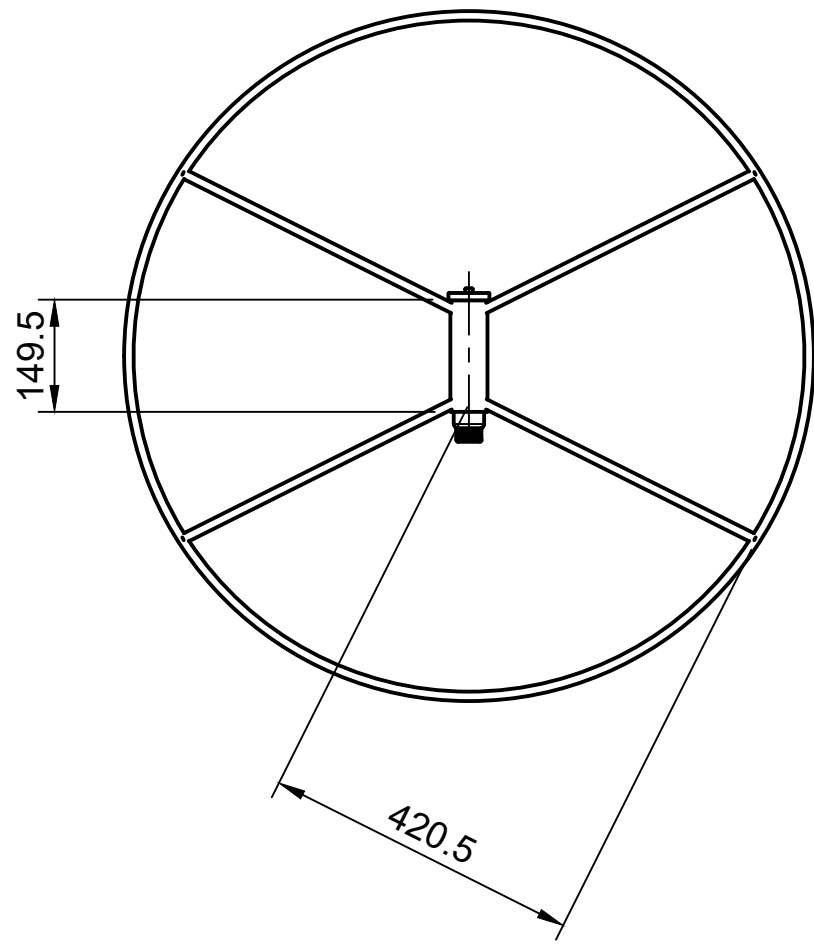


Part List			
Item	Qty	Part Number	Material
1	1	MH6BHH Extra Heavy Duty Mid-Hinged Pole	Hot Dipped Galvanized Steel
2	1	DN80 Adaptor	Stainless Steel
3	1	FR-04 900mm Single CASA Frame	Stainless Steel
4	1	CASA Standard Aviation Windsock	WeatherMax80 - White or Yellow

Copyright: This document is the exclusive proprietary property of Windsocks Australia Pty Ltd and may not be copied, traced, reproduced, or lent without written consent.

Checked by

 <p>Windsocks Australia Keeping you safe since 2003</p> <p>Windsocks Australia Pty Ltd 48 Johnson Place, Wattle Grove, WA, 6107 Phone: (+61) 0468 474 656 Email: info@windsocksaustralia.com.au Web: www.windsocksaustralia.com.au</p>	<p>Document Type</p> <p>Engineering Drawing</p>	<p>Part number</p> <p>Typical Assembly</p>			
	<p>Title</p> <p>FR-04 900mm Single CASA Windsock Assembly on 6m XHD Mid-Hinged Pole</p>		<table border="1"> <tr> <td>Date</td> <td>Sheet</td> </tr> <tr> <td></td> <td>1/5</td> </tr> </table>	Date	Sheet
Date	Sheet				
	1/5				



Copyright: This document is the exclusive proprietary property of Windsocks Australia Pty Ltd and may not be copied, traced, reproduced, or lent without written consent.

Checked by



Windsocks Australia Pty Ltd
 48 Johnson Place, Wattle Grove, WA, 6107
 Phone: (+61) 0468 474 656
 Email: info@windsocksaustralia.com.au
 Web: www.windsocksaustralia.com.au

Document Type
 Engineering Drawing

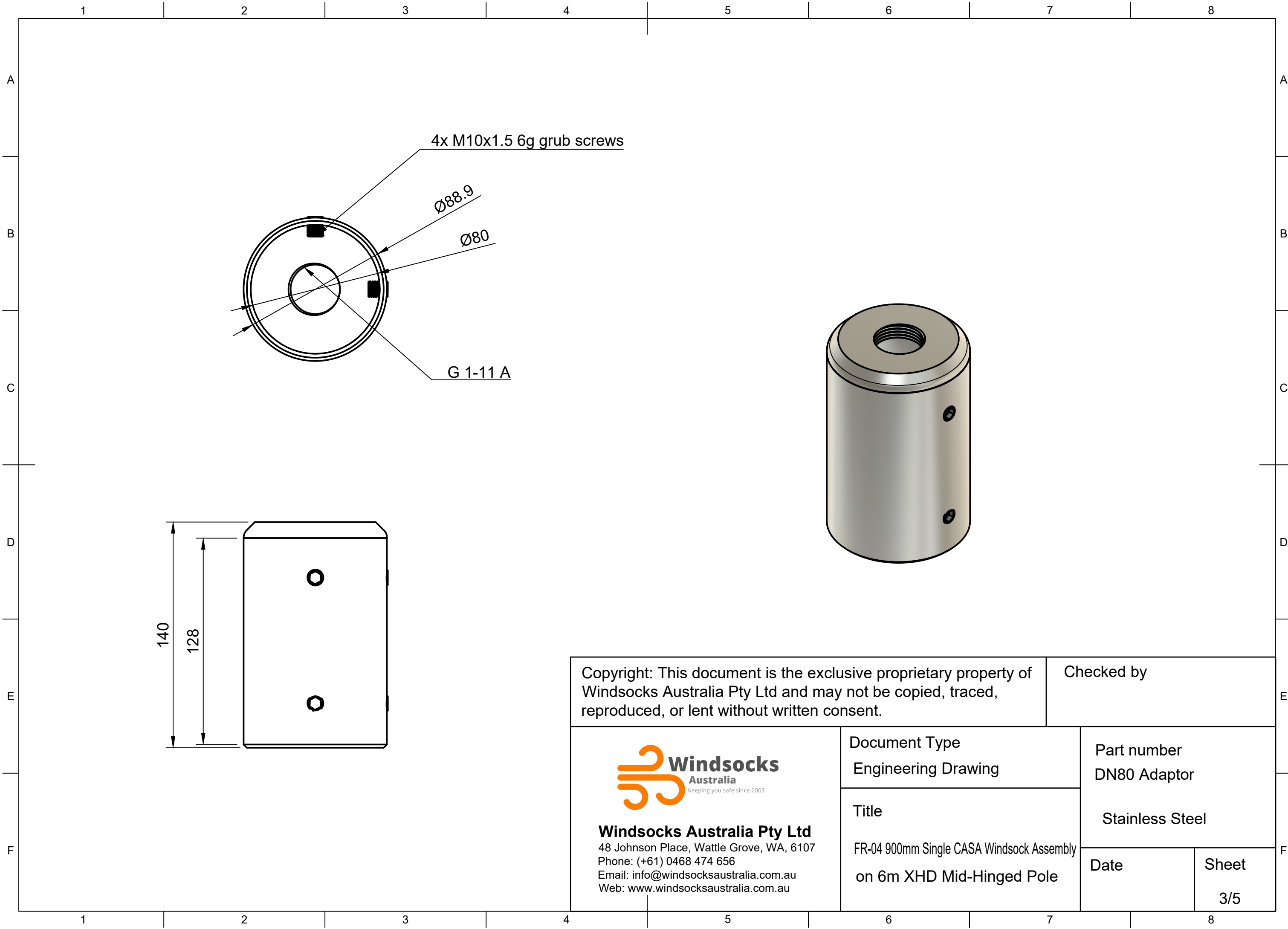
Part number
 FR-04 900mm Single CASA Frame

Title
 FR-04 900mm Single CASA Windsock Assembly
 on 6m XHD Mid-Hinged Pole

Stainless Steel

Date

Sheet
 2/5



Copyright: This document is the exclusive proprietary property of Windsocks Australia Pty Ltd and may not be copied, traced, reproduced, or lent without written consent.

Checked by



Windsocks Australia Pty Ltd
48 Johnson Place, Wattle Grove, WA, 6107
Phone: (+61) 0468 474 656
Email: info@windsocksaustralia.com.au
Web: www.windsocksaustralia.com.au

Document Type
Engineering Drawing

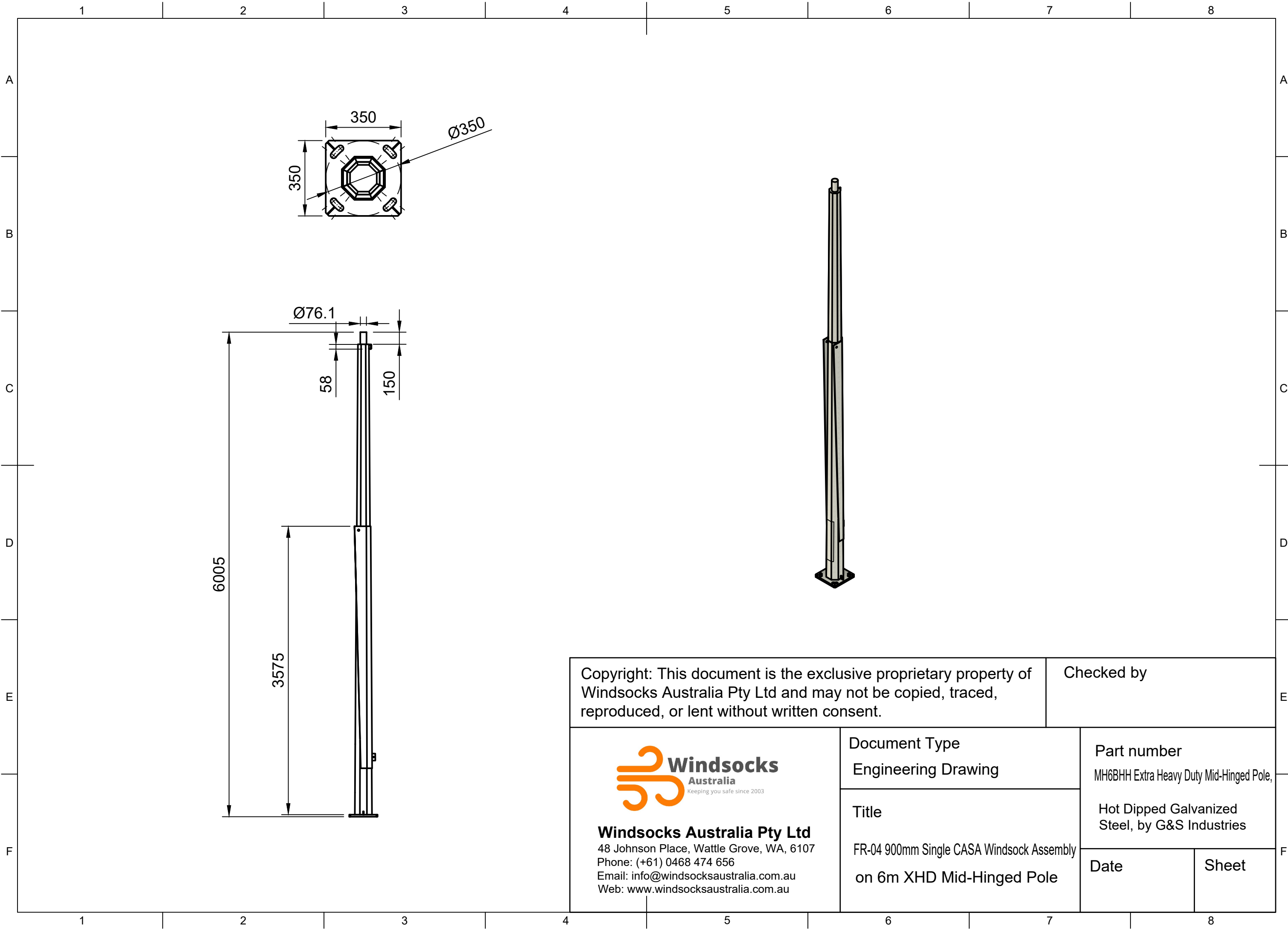
Title
FR-04 900mm Single CASA Windsock Assembly
on 6m XHD Mid-Hinged Pole

Part number
DN80 Adaptor

Stainless Steel

Date

Sheet
3/5



Copyright: This document is the exclusive proprietary property of Windsocks Australia Pty Ltd and may not be copied, traced, reproduced, or lent without written consent.

Checked by



Windsocks Australia Pty Ltd
 48 Johnson Place, Wattle Grove, WA, 6107
 Phone: (+61) 0468 474 656
 Email: info@windsocksaustralia.com.au
 Web: www.windsocksaustralia.com.au

Document Type
 Engineering Drawing

Part number
 MH6BHH Extra Heavy Duty Mid-Hinged Pole,

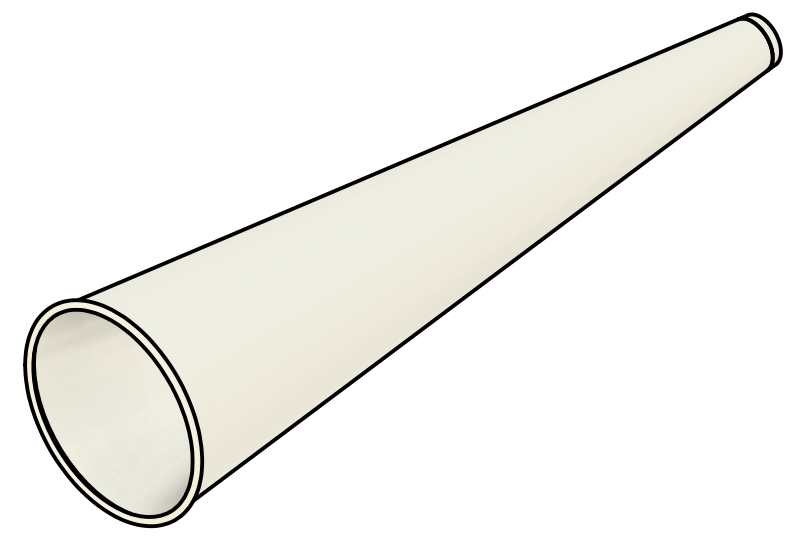
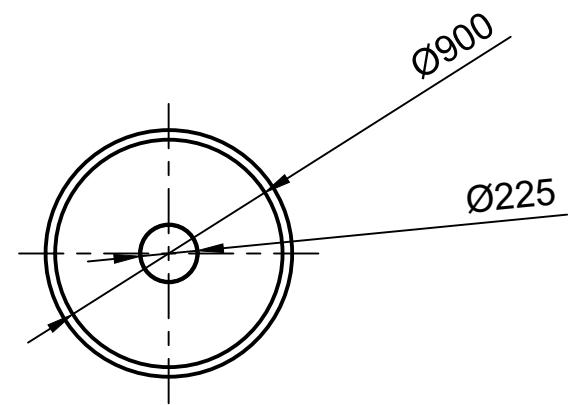
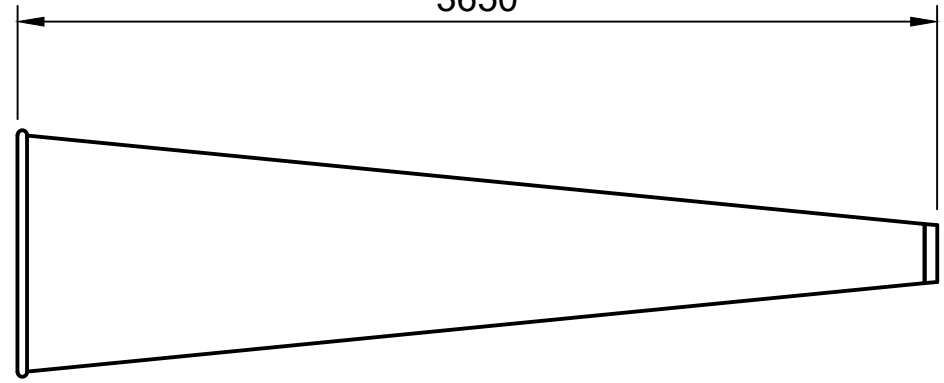
Title
 FR-04 900mm Single CASA Windsock Assembly
 on 6m XHD Mid-Hinged Pole

Hot Dipped Galvanized Steel, by G&S Industries

Date

Sheet

3650



Copyright: This document is the exclusive proprietary property of Windsocks Australia Pty Ltd and may not be copied, traced, reproduced, or lent without written consent.

Checked by



Windsocks Australia Pty Ltd
48 Johnson Place, Wattle Grove, WA, 6107
Phone: (+61) 0468 474 656
Email: info@windsocksaustralia.com.au
Web: www.windsocksaustralia.com.au

Document Type
Engineering Drawing

Title
FR-04 900mm Single CASA Windsock Assembly
on 6m XHD Mid-Hinged Pole

Part number
CASA Standard Aviation Windsock
WeatherMax80 -
White or Yellow

Date

Sheet
5/5