

PCF

Photoelectric Controller and Flasher

Compliances: FAA AC 70/7460-1
FCC Rules and Regulations

Applications

The PCF is a combination photo controller and flasher in a single unit. It is perfect for automatic operation of a single FCB beacon. It will flash any incandescent lighting fixtures, including obstruction lights, with a total flashing load of 1,400 W or less. The PCF will also switch steady burning lights totaling 1,000 W in addition to flashing a beacon.

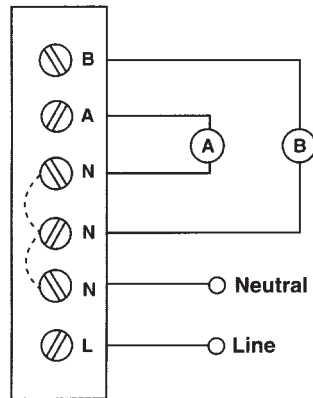
Features

- Combines flasher and PEC in one compact unit
- Controller housing hooks onto the box for easy wiring
- Solid-State Flasher for high reliability
- Flashes up to 1,400 W
- Flash Rate: 30 ± 10 per minute with 2/3 on and 1/3 off
- LED Power Indicator
- Cast Aluminum Box
- Zero Switching Voltage for longer lamp life
- Inrush: 300 A at 120 V
- Light Actuation:
Energizes at 35 foot-candles
De-energizes at 60 foot-candles
- Voltage tolerance $\pm 15\%$

Wiring Diagram

A = Obstruction
Light Lamp(s)
Maximum Total
Load of 1,000 W

B = Beacon Lamps
Maximum Total Load
of 1,400 W

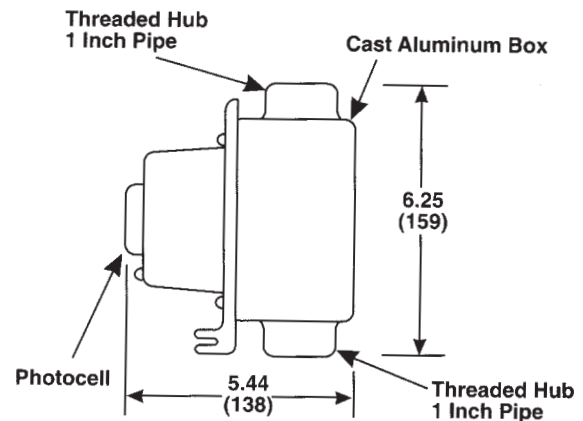
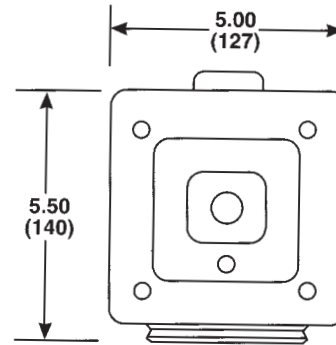


Ordering Information

Catalog Number	Description	System Voltage*
PCF-001-002	Photoelectric Controller	120
PCF-002-002	Photoelectric Controller	220-240

*Two wire voltage line to neutral

Installation Drawing



Dimensions:	Inches	(Millimeters)
Shipping Weight:	5.0 lbs	2.3 kg
Shipping Volume	0.3 cu ft	.008 cu m